

# STATIC OVERLOAD RELAY



# STATIC OVERLOAD RELAY

**Prok dv's**®

An ISO 9001 : 2008 Company

**STATIC OVER LOAD / CURRENT RELAY (OCR / OLR) → OCSP**  
IEEE DEVICE CODE 50

## Features

- Static device
- Wide operating range 40%-200% of rated current In
- Compact in size and aesthetic value
- Visual LED indication
- Rugged, Robust and Tropicalised design
- Tamper proof acrylic cover

## Applications

- Feeder/Distribution control panel
- Generator control panel

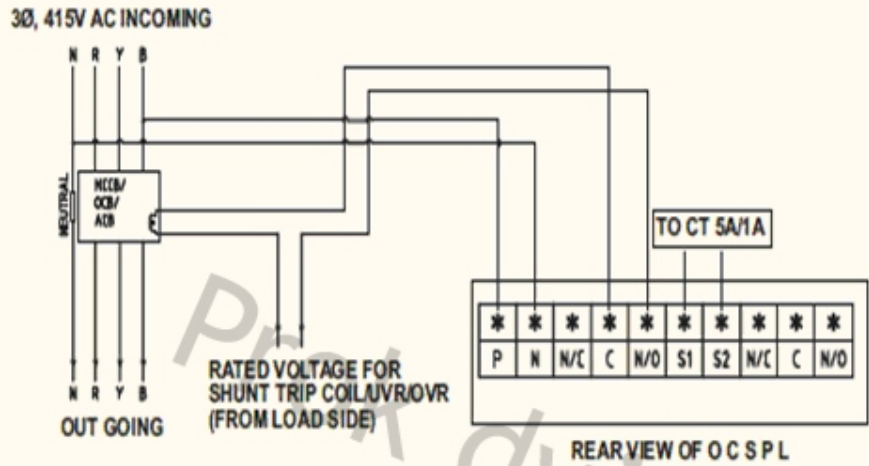
## Specification

Auxiliary voltage	230VAC, 50 Hz
Current input	5 amp or 1 amp
Operating Range	50%to 200%
Tripping time Fixed or Variable	<100msec 0.15-3sec
Relay contacts	1 C/O potential free contacts or 2 C/O potential free contacts
Ratings	6Amps/230VAC/28 VDC
Operating temperature	0-55 C
Mounting type	Flush/Din rail mounting

# STATIC OVERLOAD RELAY

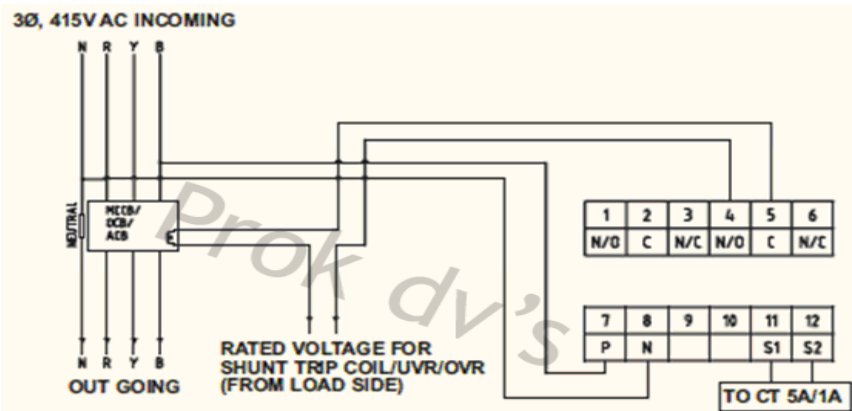
STATIC OVER LOAD / CURRENT RELAY (OCR / OLR) → OCSP L  
IEEE DEVICE CODE 50

## WIRING DIAGRAM OF STATIC OVER LOAD / CURRENT RELAY (OCR / OLR)



**NOTE:** FOR SHUNT RELEASE CONNECT C & N/O CONTACTS  
FOR UV RELEASE OR CONTACTOR COIL CONNECT C & N/C CONTACTS  
ARE SHOWING IN HEALTHY CONDITION

## WIRING DIAGRAM OF DIN MOUNTING STATIC OVER LOAD / CURRENT RELAY (OCR / OLR)

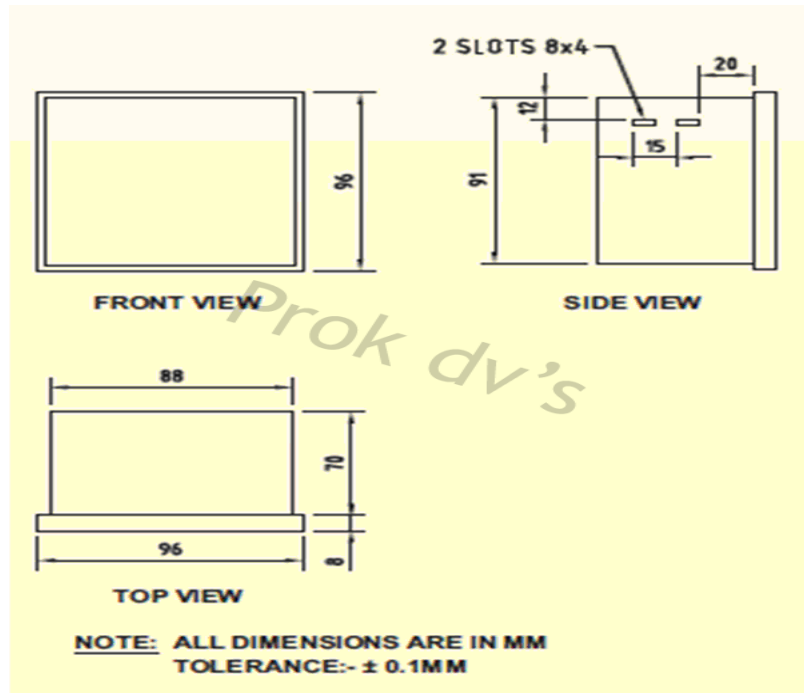


**NOTE:** FOR SHUNT RELEASE CONNECT C & N/O CONTACTS  
FOR UV RELEASE OR CONTACTOR COIL CONNECT C & N/C CONTACTS  
ARE SHOWING IN HEALTHY CONDITION

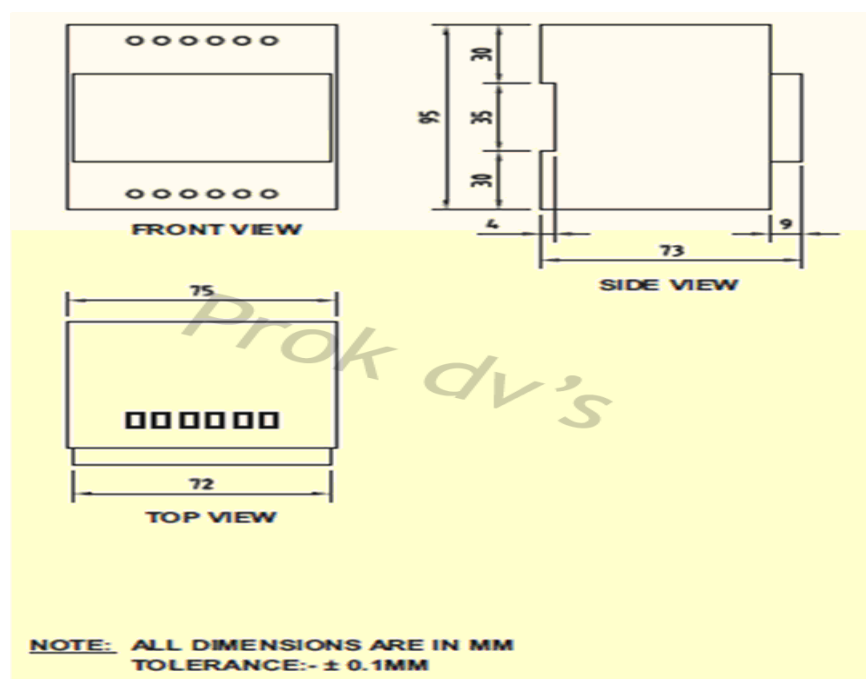
# STATIC OVERLOAD RELAY

STATIC OVER LOAD / CURRENT RELAY (OCR / OLR) → OCSP  
IEEE DEVICE CODE 50

MECHANICAL DIMENSION OF STATIC OVER LOAD /  
CURRENT RELAY (OCR / OLR)



MECHANICAL DIMENSION OF DIN MOUNTING  
STATIC OVER LOAD / CURRENT RELAY (OCR / OLR)

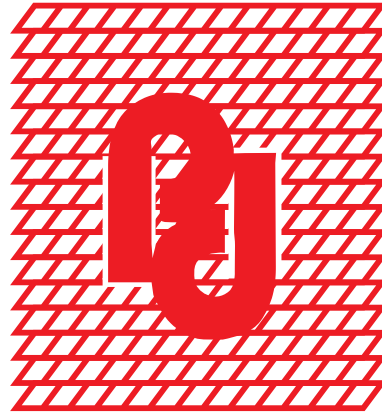


# STATIC OVERLOAD RELAY

**Prok dv's**®

An ISO 9001 : 2008 Company

STATIC OVER LOAD / CURRENT RELAY (OCR / OLR) → OCSP  
IEEE DEVICE CODE 50



ISO 9001-2008

Prok Devices Private Limited  
SIMHADRI ,No.2930, 14 th Cross,  
Banashankari II nd Stage, Off K.R. Road,  
Bengaluru-560070  
Karnataka,India

Tel:+91 80 43487777/26760718/26761719  
Fax:+91 80 26761720

For Marketing Information & Assistance  
[enquiry@prokdvs.com](mailto:enquiry@prokdvs.com)  
[marketing@prokdvs.com](mailto:marketing@prokdvs.com)

For Product Information & Technical Details  
[info@prokdvs.com](mailto:info@prokdvs.com)

For Service Information  
[service@prokdvs.com](mailto:service@prokdvs.com)